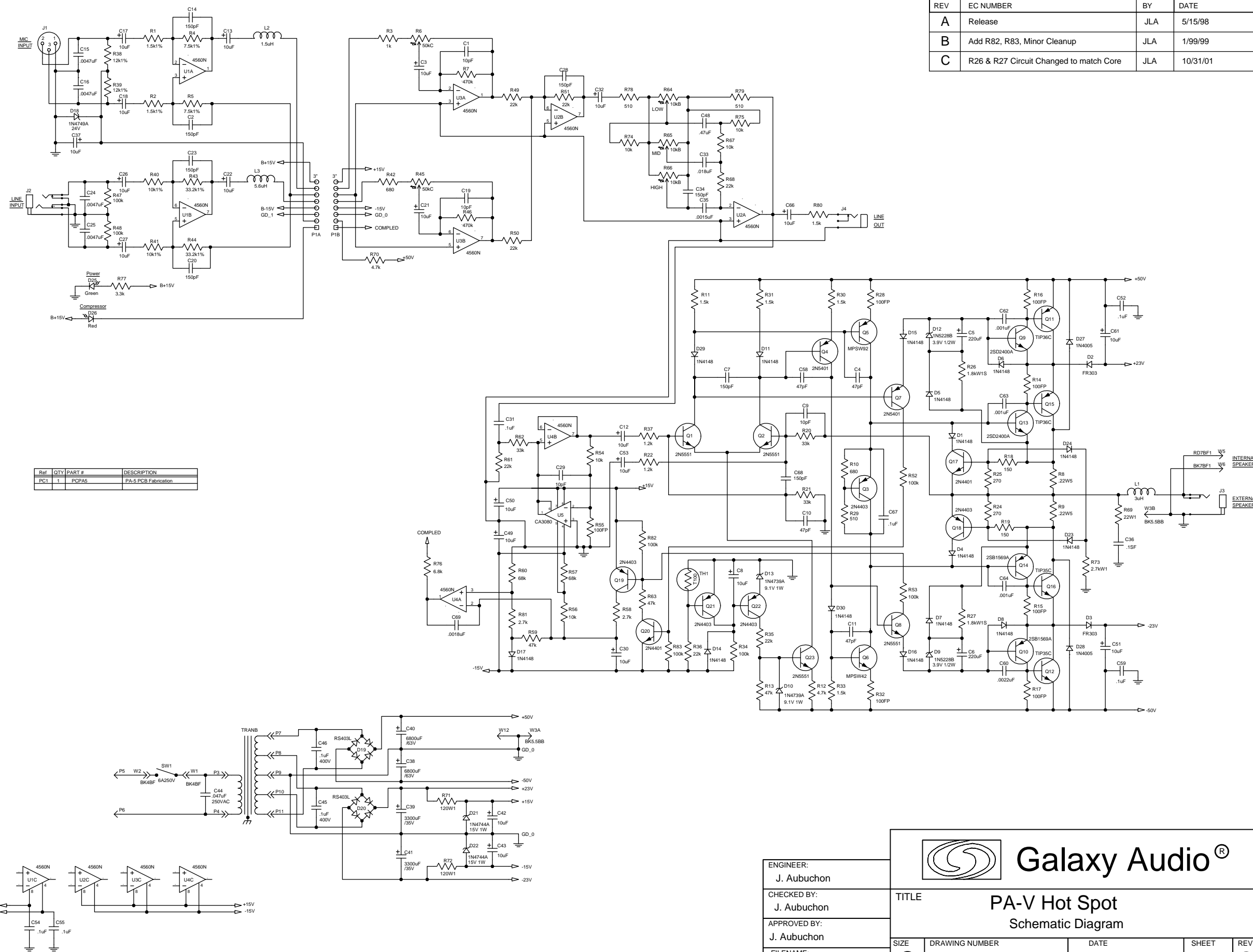


REV	EC NUMBER	BY	DATE
A	Release	JLA	5/15/98
B	Add R82, R83, Minor Cleanup	JLA	1/99/99
C	R26 & R27 Circuit Changed to match Core	JLA	10/31/01



Ref	QTY	PART #	DESCRIPTION
PC1	1	PCPA5	PA-5 PCB Fabrication

Galaxy Audio®

<p>ENGINEER: J. Aubuchon</p> <p>CHECKED BY: J. Aubuchon</p> <p>APPROVED BY: J. Aubuchon</p> <p>FILENAME: Pavs.dbf</p>	<p>TITLE</p> <p>PA-V Hot Spot</p> <p>Schematic Diagram</p>										
<table border="1" style="width: 100%; border-collapse: collapse;"> <tr> <th>SIZE</th> <th>DRAWING NUMBER</th> <th>DATE</th> <th>SHEET</th> <th>REV</th> </tr> <tr> <td style="text-align: center; font-weight: bold;">C</td> <td style="text-align: center;">SAHSPA5PCC</td> <td style="text-align: center;">31-OCT-2001</td> <td style="text-align: center;">1 OF 1</td> <td style="text-align: center; font-weight: bold;">C</td> </tr> </table>	SIZE	DRAWING NUMBER	DATE	SHEET	REV	C	SAHSPA5PCC	31-OCT-2001	1 OF 1	C	
SIZE	DRAWING NUMBER	DATE	SHEET	REV							
C	SAHSPA5PCC	31-OCT-2001	1 OF 1	C							