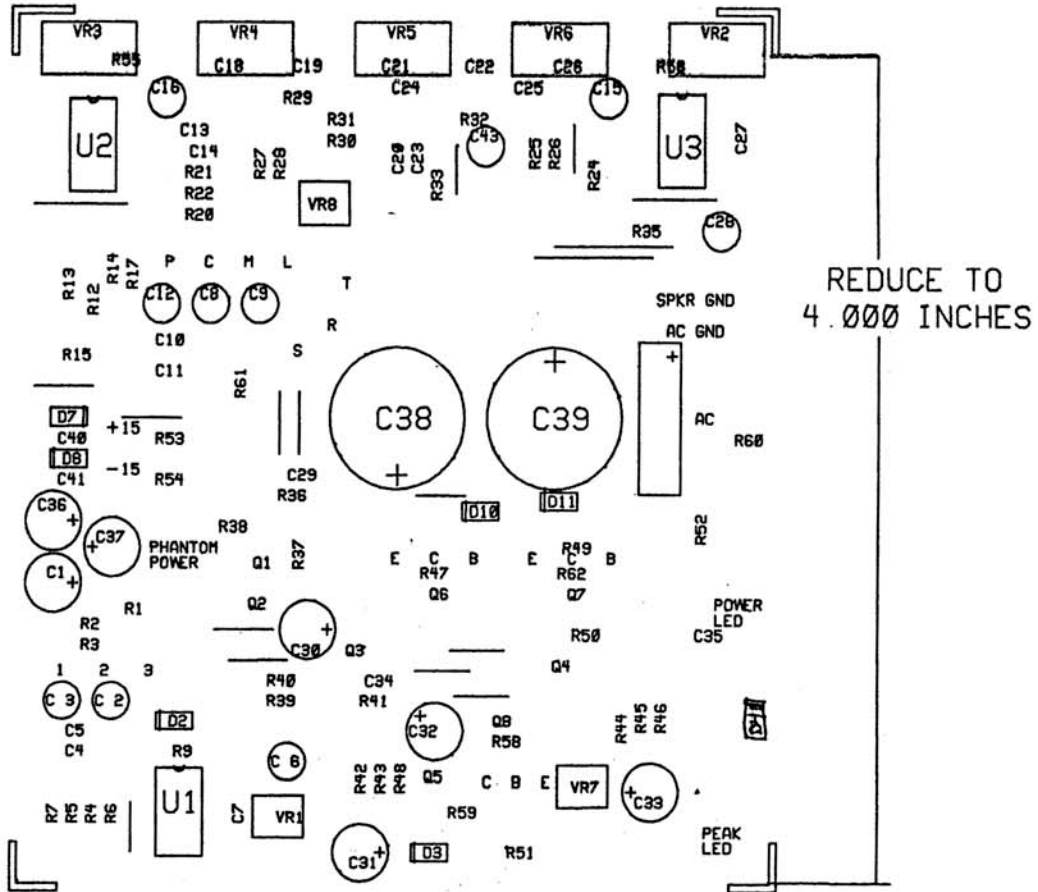
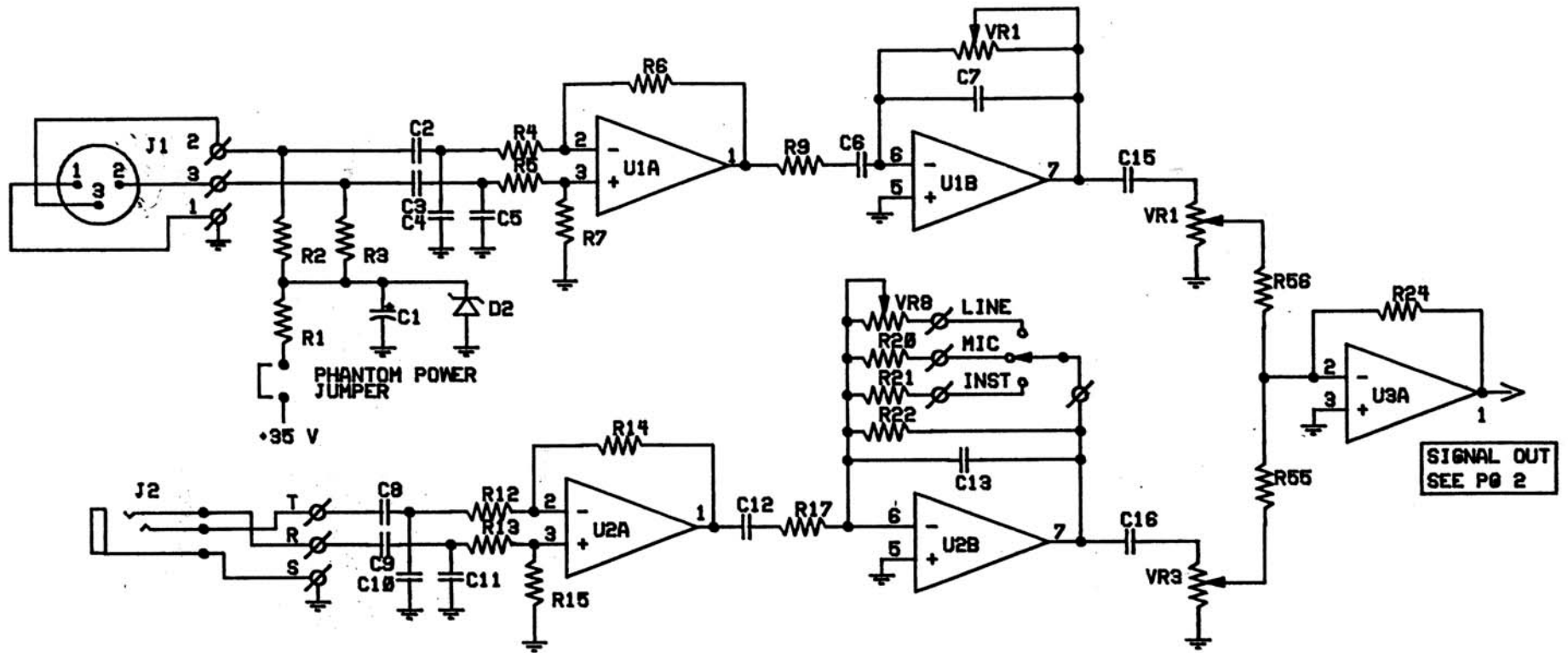


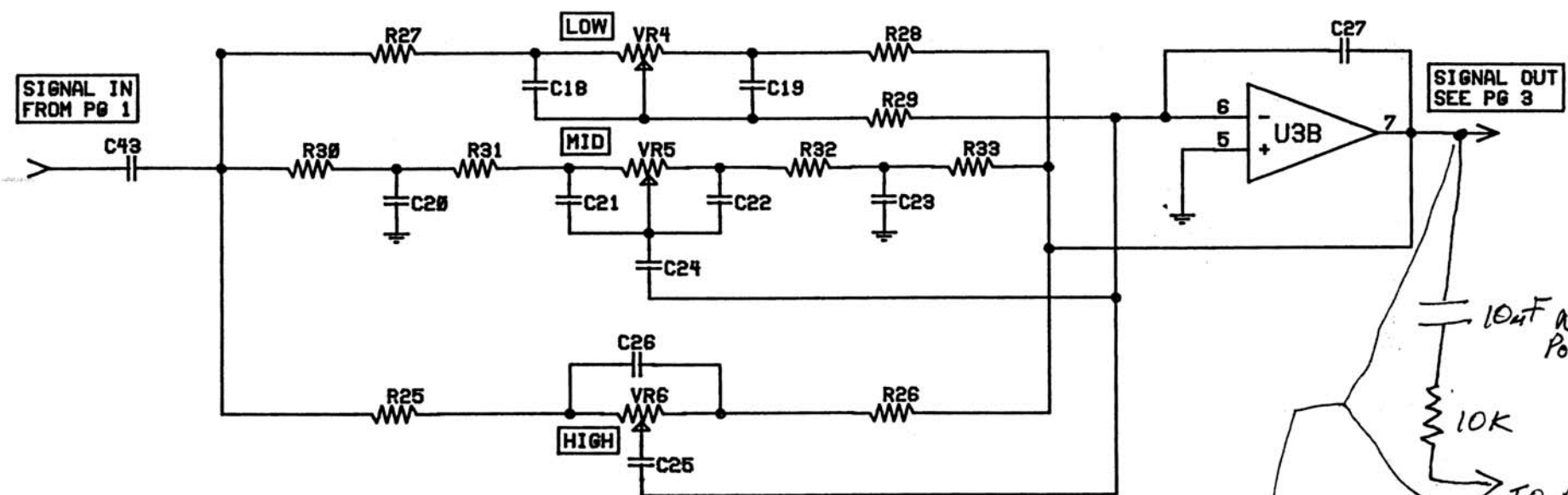
Has traveler  
parts  
designator



~~PA-#~~ PARTS DESIGNATOR

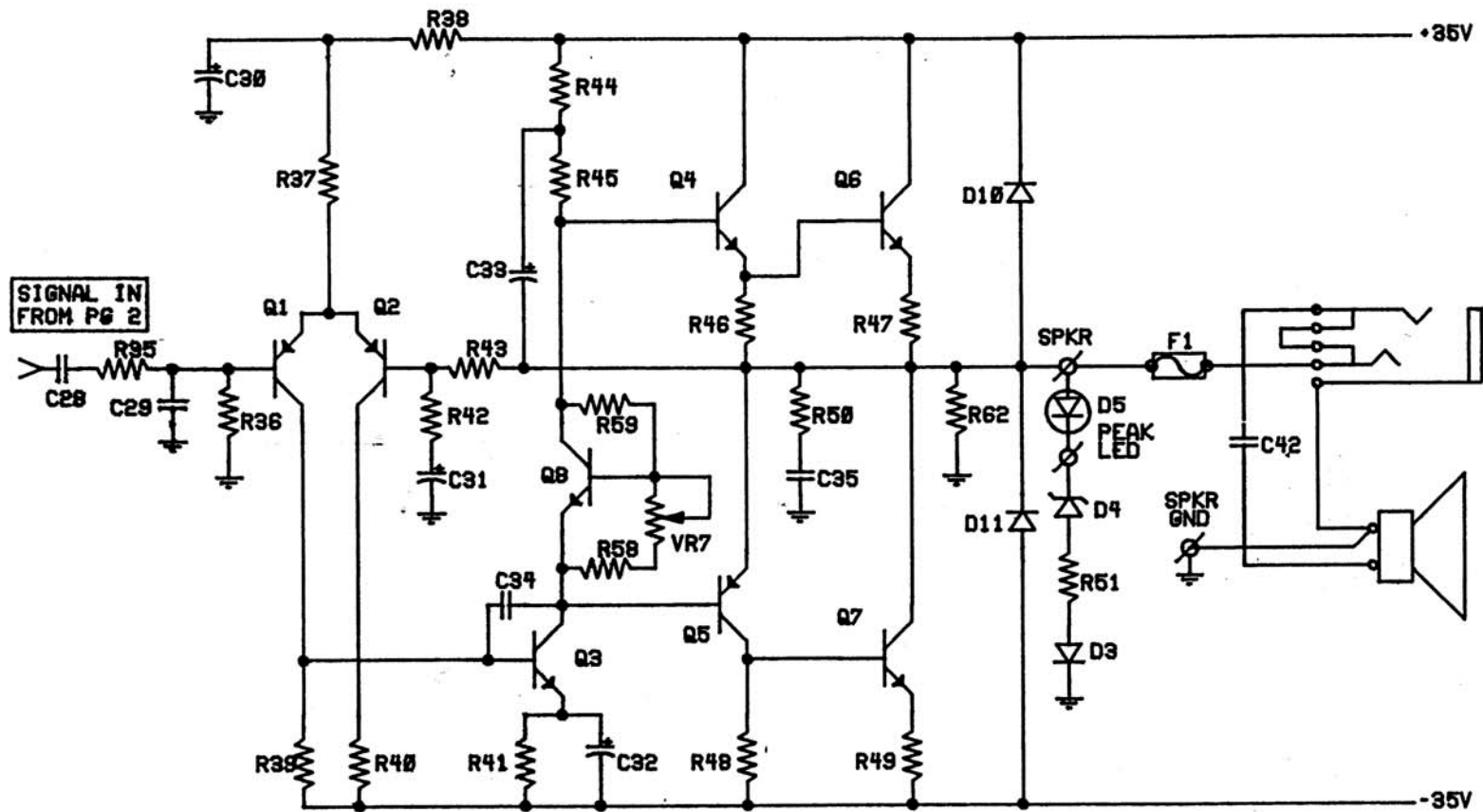


GALAXY AUDIO PAIII  
 PAGE 1 OF 4  
 PREAMP/MIXER

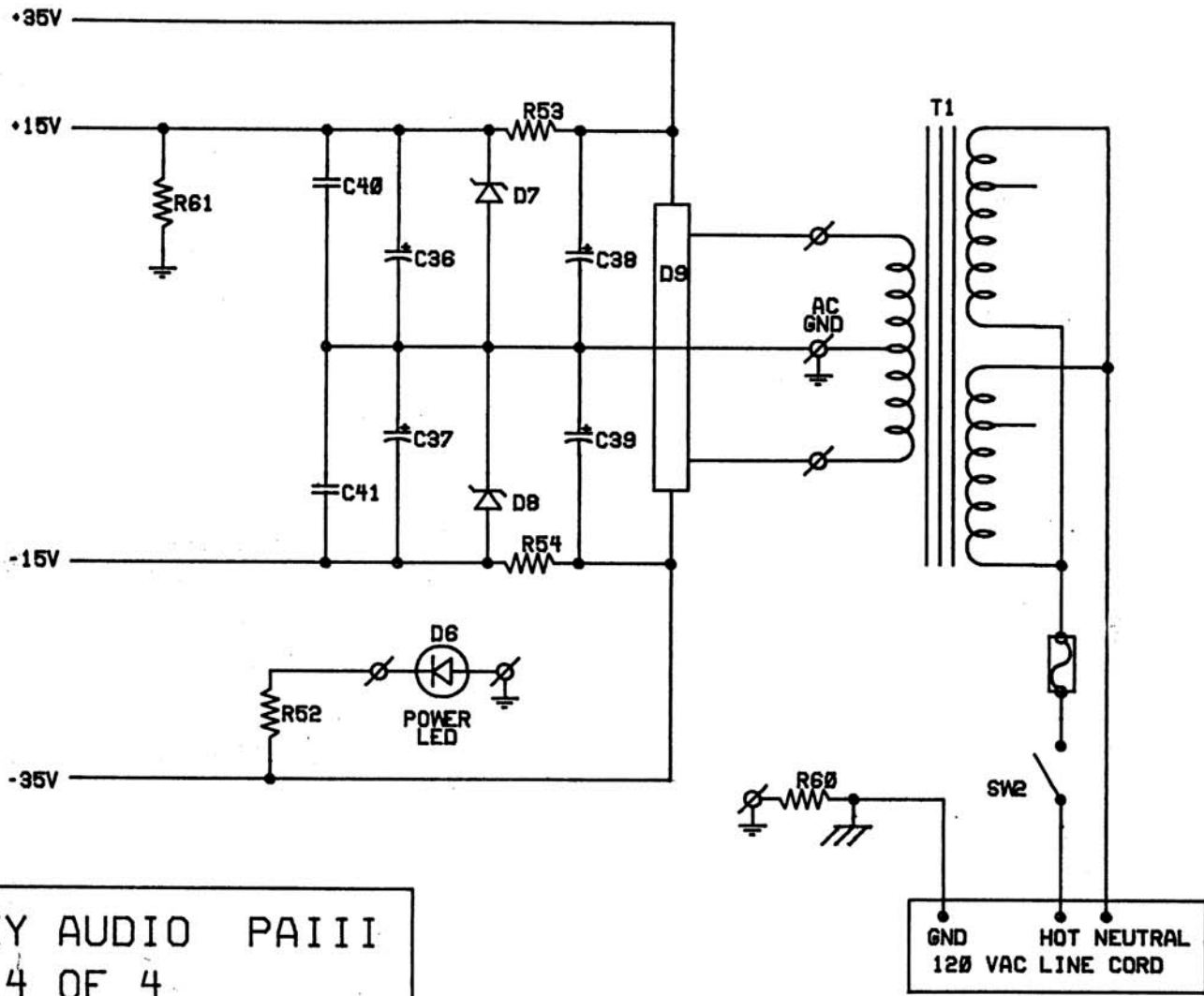


10 $\mu$ F Non Polarized  
 10K  
 TO RCA  
 LINE LEVEL  
 OUT Put JACK  
 TRAVLER  
 LINE Out ONLY

GALAXY AUDIO PAIII  
 PAGE 2 OF 4  
 EQ



GALAXY AUDIO PAIII  
 PAGE 3 OF 4  
 POWER AMPLIFIER



GALAXY AUDIO PAIII  
 PAGE 4 OF 4  
 POWER SUPPLY

TRAVELER HAS NO TRANSFORMER  
 R54 + R53 JUMPED  
 ±12V BATT'S THERE