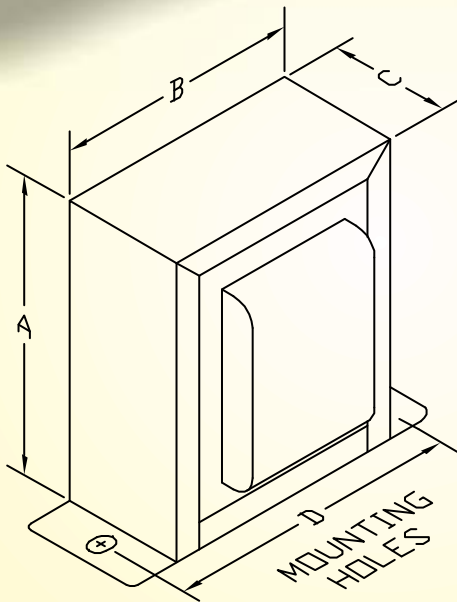
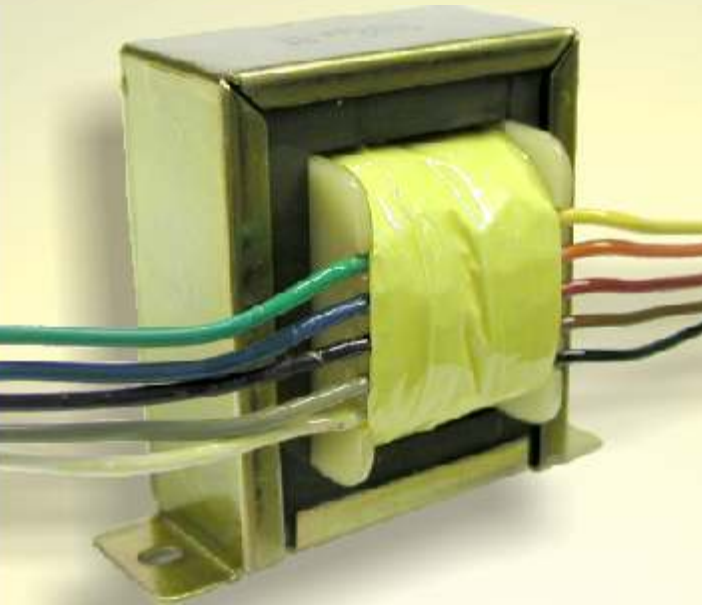


## 70 volt/100 volt 100 WATT AUTOFORMER for use in distributed systems

**PART # THSPM100**



WATTS @100V	WATTS @ 70V	IMPEDANCE	
		<b>COMMON</b>	BLK
		<b>8 OHMS</b>	BRN
		<b>16 OHMS</b>	RED
	<b>100W</b>	<b>50 OHMS</b>	ORN
<b>100W</b>	<b>50W</b>	<b>100 OHMS</b>	YEL
<b>50W</b>	<b>25W</b>	<b>200 OHMS</b>	GRN
<b>25W</b>	<b>12.5W</b>	<b>400 OHMS</b>	BLU
<b>12.5W</b>	<b>6.25W</b>	<b>800 OHMS</b>	VIO
<b>6.25W</b>	<b>3.125W</b>	<b>1600 OHMS</b>	GRY
<b>3.125W</b>	<b>1.56W</b>	<b>3200 OHMS</b>	WHT

Model No.	Power Rating	Freq. Response	Terminations
<b>THSPM100</b>	<b>100 Watts</b>	<b>35Hz-19KHz +/-1dB</b>	<b>22 AWG 12" Wires</b>

<b>DIMENSIONS</b>					
A	B	C	D	HOLE DIA.	WEIGHT
<b>2.80"</b> (71.12mm)	<b>2.31"</b> (58.67mm)	<b>1.15"</b> (29.21mm)	<b>2.78"</b> (70.61mm)	<b>0.18"</b> (4.57mm)	<b>1.7 lbs</b> (0.77kg)

\*Specifications subject to change without notice.

## THSPM100